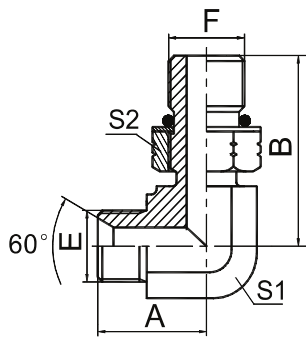


# 过渡接头 ADAPTER



## 1BO9-OG

90°英管外螺纹60°内锥/美制SAE外螺纹O形圈  
90° BSP MALE 60° SEAT/SAE O-RING BOSS

代号 PART NO.	螺纹 THREAD		O形圈 O-RING		尺寸 DIMENSIONS				
	E	F		F端	A	B	S1	S2	
1BO9-02-04OG	G1/8"X28	7/16"X20		O904	19.8	27.2	11	17	
1BO9-02-05OG	G1/8"X28	1/2"X20		O905	22.3	30	14	17	
1BO9-04OG	G1/4"X19	7/16"X20		O904	25	30.5	14	17	
1BO9-04-05OG	G1/4"X19	1/2"X20		O905	25	29.9	14	17	
1BO9-04-06OG	G1/4"X19	9/16"X18		O906	24.5	31.8	14	19	
1BO9-04-08OG	G1/4"X19	3/4"X16		O908	27.5	37.5	19	24	
1BO9-06-04OG	G3/8"X19	7/16"X20		O904	27.5	31.5	16	17	
1BO9-06OG	G3/8"X19	9/16"X18		O906	27.5	33.3	16	19	
1BO9-06-08OG	G3/8"X19	3/4"X16		O908	28.5	37.5	19	24	
1BO9-06-10OG	G3/8"X19	7/8"X14		O910	31	44	22	27	
1BO9-08OG	G1/2"X14	3/4"X16		O908	34.5	40	22	24	
1BO9-08-10OG	G1/2"X14	7/8"X14		O910	34.5	44	22	27	
1BO9-08-12OG	G1/2"X14	1.1/16"X12		O912	37.5	51	27	32	
1BO9-10OG	G5/8"X14	7/8"X14		O908	35	44	22	27	
1BO9-12OG	G3/4"X14	1.1/16"X12		O912	40	51	27	32	
1BO9-12-08OG	G3/4"X14	3/4"X16		O908	40	43	27	24	
1BO9-12-10OG	G3/4"X14	7/8"X14		O910	40	47	27	27	
1BO9-12-16OG	G3/4"X14	1.5/16"X12		O916	41	54.5	33	41	
1BO9-16OG	G1"X11	1.5/16"X12		O916	46	54.5	33	41	
1BO9-16-12OG	G1"X11	1.1/16"X12		O912	46	54.5	33	32	
1BO9-16-20OG	G1"X11	1.5/8"X12		O920	50.5	59.5	41	50	
1BO9-20OG	G1.1/4"X11	1.5/8"X12		O920	50.5	59.5	41	50	
1BO9-20-16OG	G1.1/4"X11	1.5/16"X12		O916	50.5	59.5	41	41	
1BO9-20-24OG	G1.1/4"X11	1.7/8"X12		O924	54.5	63	48	55	
1BO9-24OG	G1.1/2"X11	1.7/8"X12		O924	57.5	63	48	55	